



SILICONE
RFID WRISTBAND WRS-22
Ø 67 x 16 x 2.8 mm
HF/LF/NFC/UHF RFID TAG
ISO14443A/ISO15693
ISO18000-6

Product:	Various Frequency HF/LF/NFC/UHF RFID Stretch Wristband	
RFID Chip:	LF 125 kHz: TK4100, T5577	
	HF/NFC 13,56 MHz: NXP ICODE SLIX, NTAG213 and Mifare- Series	
	UHF 860...960 MHz: ALIEN-Higgs3, IMPINJ-Monza R6P / 4D, NXP-U-CODE 8	
Read Range:	HF/NFC/LF: about 1 to 30 mm, UHF: up to 500 mm	(Depends on reader power)
Frequency:	LF 125 kHz, HF/NFC 13,56 MHz UHF 860...960 MHz	(At room temperature 20°C)
Norms:	ISO14443A, ISO15693, ISO18000-6	
Dimensions / Weight:	(Ø 67 x 16 x 2.8 / (7.5)) mm	13 g
Material / Colour:	SI Silicone with embedded PPS TAG	1-2 colour customised silk screen logo print on request
Protection Class:	IP68	
Minimum Order Quantity:	500 pieces	100 pieces/bag
Operating / Storage Temperature:	0°C ... + 50°C	0°C ... + 75°C
Certification / Other:	CE	RoHS ✓
Part Description:	WRISTBAND-WRS-22-xxxxx	xxxxx = Chip version

arfidex GmbH | Adlerstraße 2 | D-63322 Rödermark | Germany | Phone: +49 (0) 6074 861930

<https://www.arfidex.de> | info@arfidex.de

© arfidex makes no warranty, representation, or guarantee regarding the information contained herein or the suitability of its products and services for any particular purpose, nor does arfidex assume any liability whatsoever arising out of the application or use of any product or circuit. The products sold hereunder and any other products sold by arfidex have been subject to limited testing and should not be used in conjunction with mission-critical equipment or applications. Any performance specifications are believed to be reliable but are not verified, and Buyer must conduct and complete all performance and other testing of the products, alone and together with, or installed in, any end-products. Buyer shall not rely on any data and performance specifications or parameters provided by arfidex. It is the Buyer's responsibility to independently determine suitability of any products and to test and verify the same. The information provided by arfidex hereunder is provided "as is, where is" and with all faults, and the entire risk associated with such information is entirely with the Buyer. arfidex does not grant, explicitly or implicitly, to any party any patent rights, licenses, or any other IP rights, whether with regard to such information itself or anything described by such information. Information provided in this document is proprietary to arfidex, and arfidex reserves the right to make any changes to the information in this document or to any products and services at any time without notice.



SILICONE
RFID WRISTBAND WRS-22
Ø 67 x 16 x 2.8 mm
HF/LF/NFC/UHF RFID TAG
ISO14443A/ISO15693
ISO18000-6

Options:

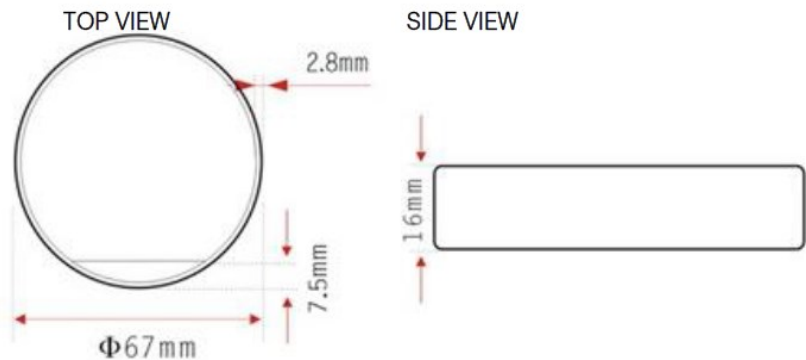
- Standard Colours: Black, Blue, Green, Orange (Pantone colours are supported)
- 1-2 colour customised silk screen logo print on request

This RFID WRISTBAND transponder is used by system integrators or endusers as electronic key in access control applications at hotels, office and other rooms and buildings..

Applications:

- Access Control
- Event Attendance
- Fitness Center / Gymnasium
- Hotel Key
- Loyalty System
- Payback System
- Recreation Area
- Swimming SPA Area
- Time Attendance
- Waste Management (Disposal Container Access)
- Your application

Dimensions:



arfidex GmbH | Adlerstraße 2 | D-63322 Rödermark | Germany | Phone: +49 (0) 6074 861930

<https://www.arfidex.de> | info@arfidex.de

© arfidex makes no warranty, representation, or guarantee regarding the information contained herein or the suitability of its products and services for any particular purpose, nor does arfidex assume any liability whatsoever arising out of the application or use of any product or circuit. The products sold hereunder and any other products sold by arfidex have been subject to limited testing and should not be used in conjunction with mission-critical equipment or applications. Any performance specifications are believed to be reliable but are not verified, and Buyer must conduct and complete all performance and other testing of the products, alone and together with, or installed in, any end-products. Buyer shall not rely on any data and performance specifications or parameters provided by arfidex. It is the Buyer's responsibility to independently determine suitability of any products and to test and verify the same. The information provided by arfidex hereunder is provided "as is, where is" and with all faults, and the entire risk associated with such information is entirely with the Buyer. arfidex does not grant, explicitly or implicitly, to any party any patent rights, licenses, or any other IP rights, whether with regard to such information itself or anything described by such information. Information provided in this document is proprietary to arfidex, and arfidex reserves the right to make any changes to the information in this document or to any products and services at any time without notice.